

Project Name: _____
 Location: _____
 Engineer: _____
 Submitted to: _____
 Submitted by: _____
 Reference: _____

Approval: _____
 Date: _____
 Construction: _____
 Unit #: _____
 Drawing #: _____

Performance

Indoor Unit Model No: FCQ18PAVJU
 Outdoor Unit Model No: RZR18PVJU
 Rated Cooling Capacity (Btu/hr): 18000
 Sensible Capacity (Btu/hr): 14100
 Max/Min Cooling Capacity (Btu/hr / kW): databook/databook
 Cooling Input Power (kW): 1.82
 SEER: 17.2
 Rated Heating Capacity (Btu/hr): N/A
 Max/Min Heating Capacity (Btu/hr / kW): databook/databook
 Heating Input Power (kW): N/A
 Heating COP (Btu/hr / Btu/hr): N/A
 HSPF: N/A

Indoor Unit Type: Round Flow Cassette
 Condensing Unit Type: SkyAir Cool Only
 Rated Cooling Conditions: Indoor: 80°F DB/67°F WB
 Outdoor: 95°F DB/75°F WB
 Rated Heating Conditions: Indoor: N/A
 Outdoor: N/A
 Rated Piping Length(ft): 25
 Rated Height Separation(ft): 0

Indoor Unit Details

Power Supply (V/Hz/Ph): 208-230/60/1ph
 Power Supply Connections: L1, L2, Ground
 Min Circuit Amps MCA (A): 0.4
 Max Overcurrent Amps MFA (A): 15
 Dimensions (HxWxD): 9-11/16x33-1/16x33-1/16
 Panel (HxWxD): 2x37-3/8x37-3/8
 Net Weight (lbs): 43
 Weight with Panel (lbs): 55.2

Airflow Rate (CFM wet coil): 560/470/390
 Moisture Removal (pt/h): _____
 Gas Pipe Connection (inch): 5/8
 Liquid Pipe Connection (inch): 3/8
 Condensate Connection (inch): 1
 Sound Pressure Level (dBA): 32
 Sound Power Level (dBA): 27
 Static Pressure Rated/Max (inWg): 0 / 0/0

Condensing Unit Details

Power Supply (V/Hz/Ph): 208-230/60/1ph
 Power Supply Connections: L1, L2, Ground
 Min. Circuit Amps MCA (A): 16.5
 Max. Overcurrent Amps MFA (A): 20
 Max. Starting Current MSC(A): _____
 Rated Load Amps RLA (A): 7.1
 Dimensions (HxWxD): 30-5/16x35-7/16x12-5/8
 Net Weight (lbs): 150

Compressor Type: Inverter
 Capacity Control Range (%): 35 - 100
 Airflow Rate (CFM): 1835
 Gas Pipe Connection (inch): 5/8
 Liquid Pipe Connection (inch): 3/8
 Sound Pressure Level (dBA): 49
 Sound Power Level (dBA): _____

System Details

Refrigerant Type: R-410A
 Holding Refrigerant Charge (lbs): 5.1
 Additional Charge (oz/ft): 0.036lbs/ft
 Pre-charge Piping (Length ft): -
 Max. Pipe Length (Total ft): 164 ft

Max. Pipe Length (Vertical ft): 98 ft
 Cooling Operation Range (°F): 23 - 115
 Cooling Range w/Baffle (°F): 0 - 115
 Heating Operation Range (°F): N/A
 Heating Range w/Baffle (°F): N/A

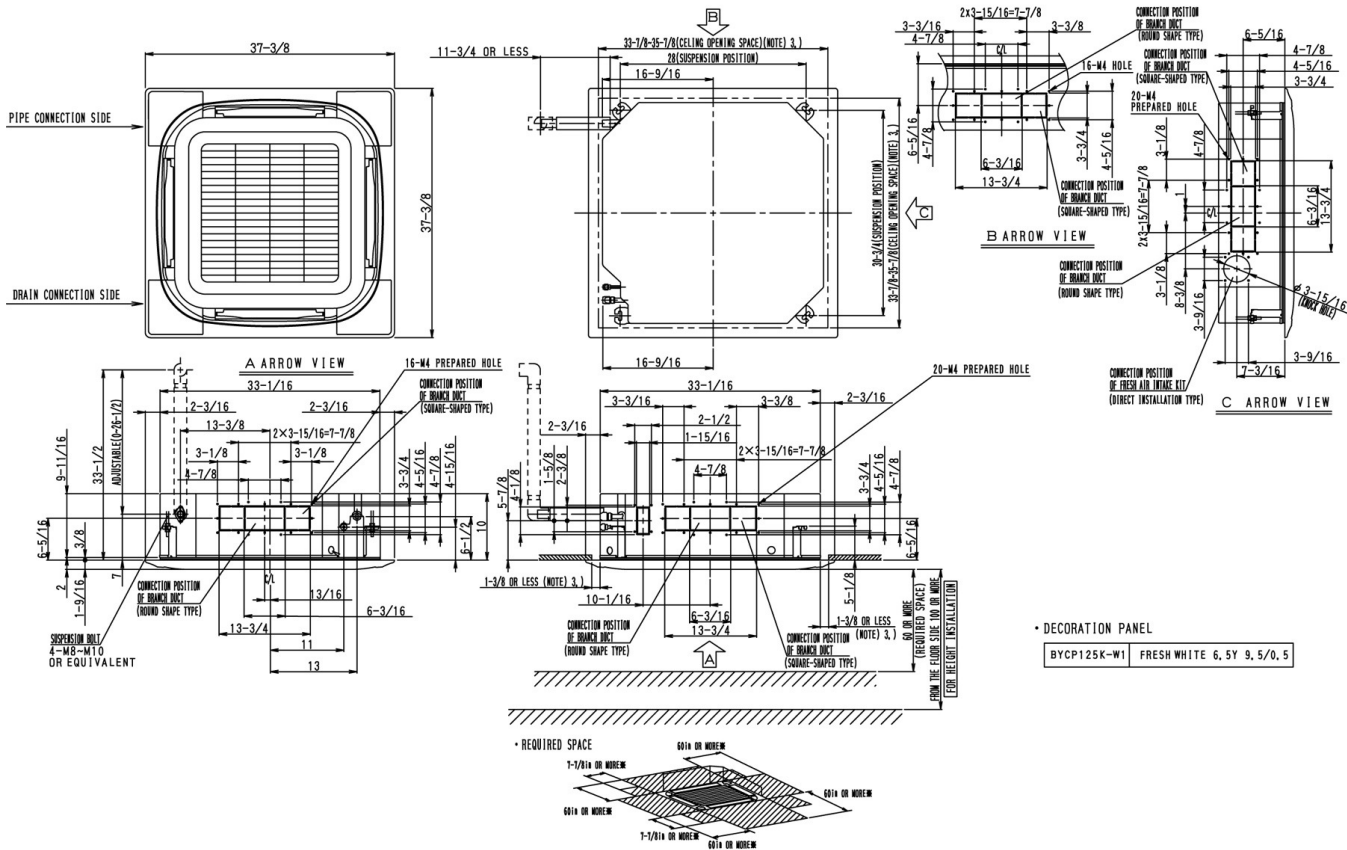
Project Name: _____
 Location: _____
 Engineer: _____
 Submitted to: _____
 Submitted by: _____
 Reference: _____

Approval: _____
 Date: _____
 Construction: _____
 Unit #: _____
 Drawing #: _____

Dimensional Drawing - Indoor Unit

FCQ18PAVJU

FCQ18PAVJU
 Unit (in.)

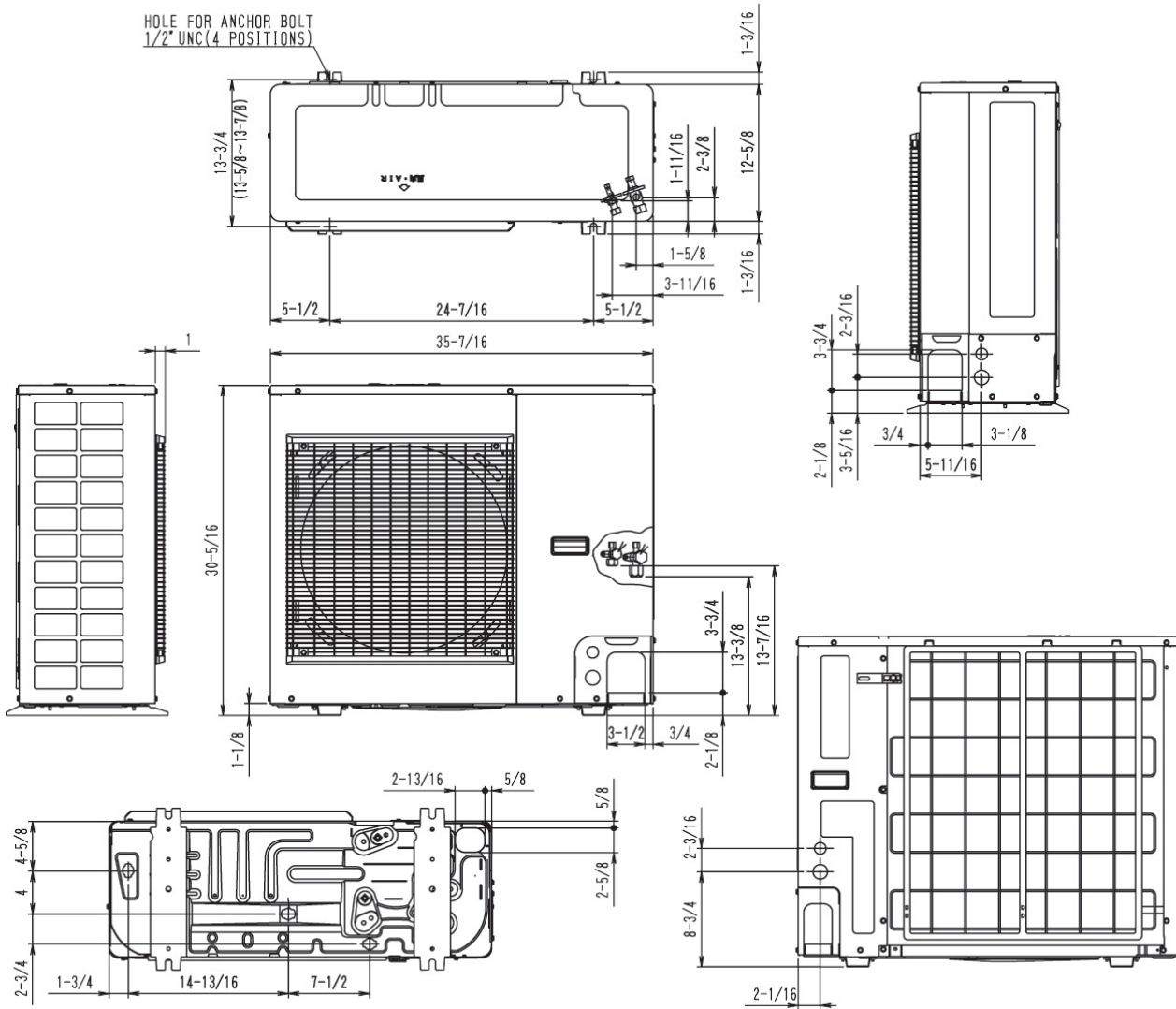


Project Name: _____
 Location: _____
 Engineer: _____
 Submitted to: _____
 Submitted by: _____
 Reference: _____

Approval: _____
 Date: _____
 Construction: _____
 Unit #: _____
 Drawing #: _____

Dimensional Drawing - Condensing Unit

RZR18PVJU



Project Name: _____
 Location: _____
 Engineer: _____
 Submitted to: _____
 Submitted by: _____
 Reference: _____

Approval: _____
 Date: _____
 Construction: _____
 Unit #: _____
 Drawing #: _____

FCQ18PAVJU



RZR18PVJU



FCQ18PAVJU

Std U.S. Warranty: 7yrs Compressor, 5yrs Parts

RZR18PVJU

Std U.S. Warranty: 7yrs Compressor, 5yrs Parts